



EUROSTYLE®



Range of jib cranes mounted on a wall or on a column, with total or partial rotation capability, manual or motorized.

 **VERLINDE**
LIFTING EQUIPMENT



EUROSTYLE

Individual handling is essential to each workstation to prevent a slowdown in the production rhythm when using the traveling crane in service at the production plant.

VERLINDE offers a wide range of jib cranes that are strong, with a nice design, high performance and equipped with the following range of hoists: EUROCHAIN VR, EUROBLOC VT, EUROLIFT BH, or EQUIBLOC AIR :

- > **Designed in compliance with DIN 15018 standards, all steel.**
- > **2m group classification.**
- > **The arm is made with IPE shaped steel beam resistant to torsion constraints (fitted with 2 adjustable stops for VFP & VFM), or with EUROSISTEM-type hollow shaped steel beam (VATS & VTFS).**
- > **Temperature rating -10° C to +40° C.**
- > **IP 44 (IP 55 available upon request) protection rating of power supply lines, cutout, etc.**
- > **Finish: shot-blast frame, primer and yellow finish glossy paint RAL 1028.**

Choosing the jib cranes that is most adequate for your needs

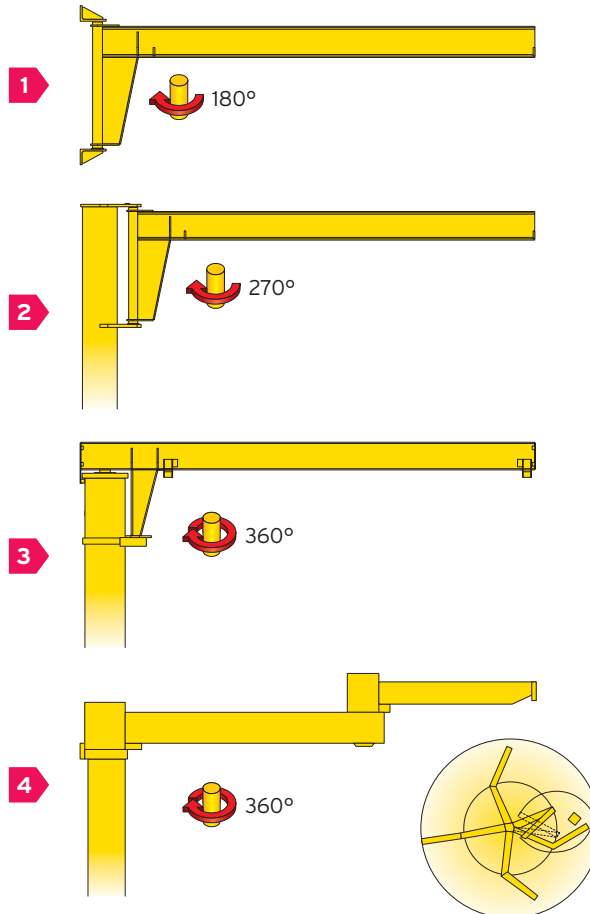
Jib cranes, whether they are mounted on a wall or on a column, are intelligent and inexpensive handling systems that do not require modification of the building structure in which they are being installed. They don't take up much space but they allow transporting goods on a three-dimensional plane.

Useful in any industrial sector: foundries, boiler works, mechanical works, paper factories, etc. They are the ideal complement for the traveling cranes used in every section of an industrial plant. They increase in autonomy and effectiveness of each workstation.

4 kinds of jib cranes is offered by Verlinde

- 1** The wall-mounted jib crane fitted onto a wall or a post, able to service a 180° section over a span up to 8 meters.
- 2** The jib crane mounted onto a column, with partial rotation capability and totally independent from the building, anchored to the ground. It can service a work area of up to 270° over a span up to 8 meters.
- 3** The rotating jib cranes mounted onto a column, is the most complete: it handles from 125 to 10,000 kg. over an area with a span up to 12 meters.
- 4** Verlinde's "TEMPLIER" articulated jib crane easily handles loads from 50 to 1,000 kg, over a 5 to 2 m span, almost full circle, and practically no dead space (the articulated arm allows working around obstacles).

For others requests, please consult us.



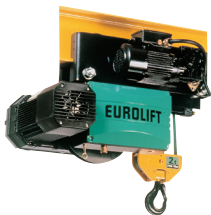
> Adapted lifting devices



VHR manual chain hoist.
Capacity from 250 to 5,000 kg.



EUROCHAIN VR electric chain hoist.
Capacity from 63 to 10,000 kg.



EUROLIFT BH electric belt hoist.
Capacity from 63 to 5,000 kg.



EUROBLOC VT electric wire rope hoist
Capacity from 800 to 80,000 kg.

> Electric rotation

Upon request, VERLINDE will provide electric rotation capabilities (VFM jib cranes) required depending on load capacity, span, rotation torque, operating rhythm, etc.

> Special manufacturing & adaptation

Jib cranes for heights and span that are greater than the standard features.

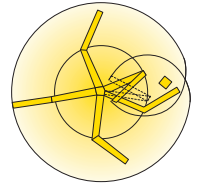
- > Manual rotation controlled by means of a wheel and endless chain.
- > Jib cranes with 2 beams.
- > Telescopic jib cranes.

EUROSTYLE jib crane technical guide is available from our web site: VERLINDE.COM



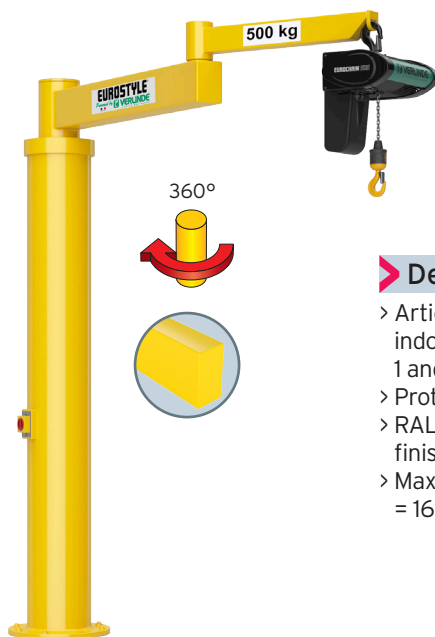
“Templier” jib crane with articulated arms

The “Templier” articulated jib crane by VERLINDE can easily handle loads from 50 to 1,000 kg, over a 5 to 2 m span, almost full circle, and practically no dead space (the articulated arm allows working around obstacles).



Jib crane mounted on column.

Entirely independent from the building, anchored to the ground. This crane can serve an almost circular working area with a maximum radius of 5 meters.



Templier TC Premium

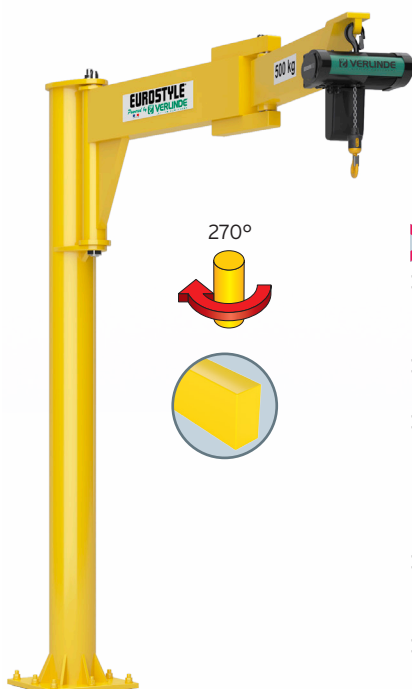
Loads from 50 to 1,000 kg.
Span from 2 to 5 meters according load.
Height under upper lifting hook: 3 m.

Description

- > Articulated wall jib crane for indoor use, 360° rotation for arm 1 and 300° rotation for arm 2.
- > Protection: 3-layer system.
- > RAL 1028 yellow polyurethane finish.
- > Maximum hoisting speed = 16m/min.

Options

- > Hoist power supply cable + lockable main switch.
- > Standpipe.
- > Hot dip galvanizing (contact us).
- > Rotation stops to weld onto the assembly.
- > Single- or multi-position rotation lock (arm 1 only).
- > Electric or manual hoist.
- > Outdoor use.



Templier TCC Eco

Loads from 125 to 250 kg.
Span from 2 to 5 meters according load.
Height under upper lifting hook: 3 m.

Description

- > Articulated pillar jib crane for indoor use, 270° rotation for arm 1 and 300° rotation for arm 2.
- > This type of jib crane cannot be motorized.
- > Theoretical deflection under nominal load = approximately 1/250th of the span + height, without exceeding 1/100th of the span in itself.
- > Protection: 3-layer system, RAL 1028 yellow polyurethane finish.
- > Maximum hoisting speed = 16m/min.

Options

- > Hoist power supply cable.
- > Lockable main switch.
- > Hot dip galvanizing (contact us).
- > Butées de rotation à souder au montage.
- > Rotation stops to weld onto the assembly, or adjustable, on 1 arm.
- > Outdoor use.
- > Electric or manual hoist.

VERLINDE is:

- The leading French manufacturer and exporter of lifting and handling equipment.
- A comprehensive range of 30 groups of lifting equipment from 60 to 250,000 kg.
- ISO 9001 Quality control certified and ISO 14001 Environmental Management Systems.



Our references

Metallurgy, Mechanics, Nuclear ➤ ArcelorMittal - Unimetal - Stein - NFM - Framatome - Alstom

Chemicals, Petrochemicals industry ➤ Sanofi Aventis - Du Pont De Nemours - Total

Aeronautical industry ➤ Aérospatiale - Airbus - Eurocopter - Air France - Aéroport de Paris - Snecma - Dassault Aviation

Agri-food industry ➤ Nestlé - Danone - Bel - Palamatic - Tetrapak - Lactalis

Automobile industry ➤ Renault - Peugeot - Citroën - Scania - Ford - RVI - Volkswagen - Michelin - Massey Ferguson - Manitou - Toyota Industrial Equipment

Other sectors ➤ EDF - SNCF - RATP - Spie - Degremont - Eiffage - Polysius - Baudin Chateaufort



In France:

A sales network and after sales service points, EUROPONT travelling crane construction plants and a distributor network.

Abroad:

A customer service in more than 92 countries.



2, boulevard de l'Industrie - B.P. 20059 - 28509 Vernouillet cedex - France
Telephone : (33) 02 37 38 95 95 - Fax : (33) 02 37 38 95 99
Internet : www.verlinde.com